



ROBOTIC HANDLING OF PACKAGES

JORGENSEN ROBOTIC HANDLING

State-of-the-art retort handling systems for all kinds of packages

WE GUARANTEE...

Throughout the years Jorgensen has designed and produced loading/unloading system for retorts ranging from semiautomatic machinery to complete and fully automatic lines with robots. We guarantee long term experience and well documented skills with hundreds of references in the food, pet food and pharmaceutical industries.

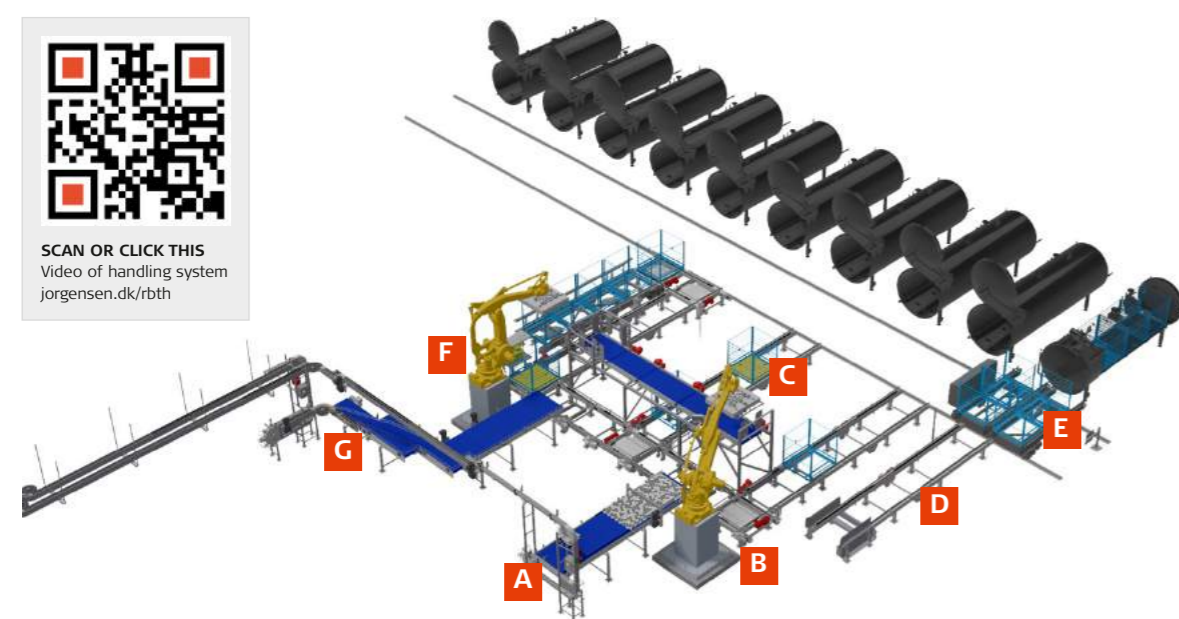
Jorgensen handles all kinds of packages as cans, cartons, aluminium trays and stand-up pouches. And our aim is to care for your brand.

BENEFITS

- Gentle handling of packages
- High capacity
- Customization
- Robust and compact design
- Sanitary design
- Easy cleaning
- Ranging from semi to fully automatic



Jorgensen handles all kinds of packages

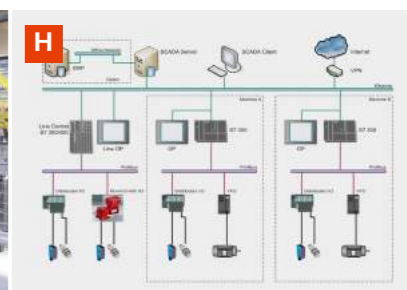


PROGRAMME AND PROCESSES

Jorgensen programme includes:

- Loading/unloading
- Transport
- Shuttle system
- Depalletizing/palletizing
- Conveying
- End handling
- Washing
- Drying
- Assorting
- Case packing

- A** Infeed
- B** Loading station
- C** Divider plate handling
- D** Double chain conveyer
- E** Shuttle
- F** Unloading station
- G** Single filing
- H** SCADA line control



REFERENCES

A selection of our customers



Jorgensen core values: dedication, flexibility, trust, team spirit, drive, customer focus and outcome



Jorgensen Engineering a/s
M.P. Allerups Vej 20
DK-5220 Odense SØ
Denmark

Tel.: (+45) 63 13 22 11
E-mail: jorgensen@jorgensen.dk
www.jorgensen.dk
Part of the XANO Group

