

MECHANICAL
HANDLING
OF POTS & CUPS

JORGENSEN POTS/CUPS HANDLING

Customized program to handle all kinds of pots and cups

Jorgensen designs and produces equipment for the handling of pots and cups ranging from semiautomatic single machinery to complete and fully automatic lines.

Throughout the years Jorgensen has developed various systems for leading global food companies – ensuring you in-depth handling expertise, optimization and innovation.

Jorgensen has a comprehensive pots & cups handling program – ranging from empty container intake to filled goods delivery, all packed and palletized.

BENEFITS

Jorgensen loading/unloading systems:

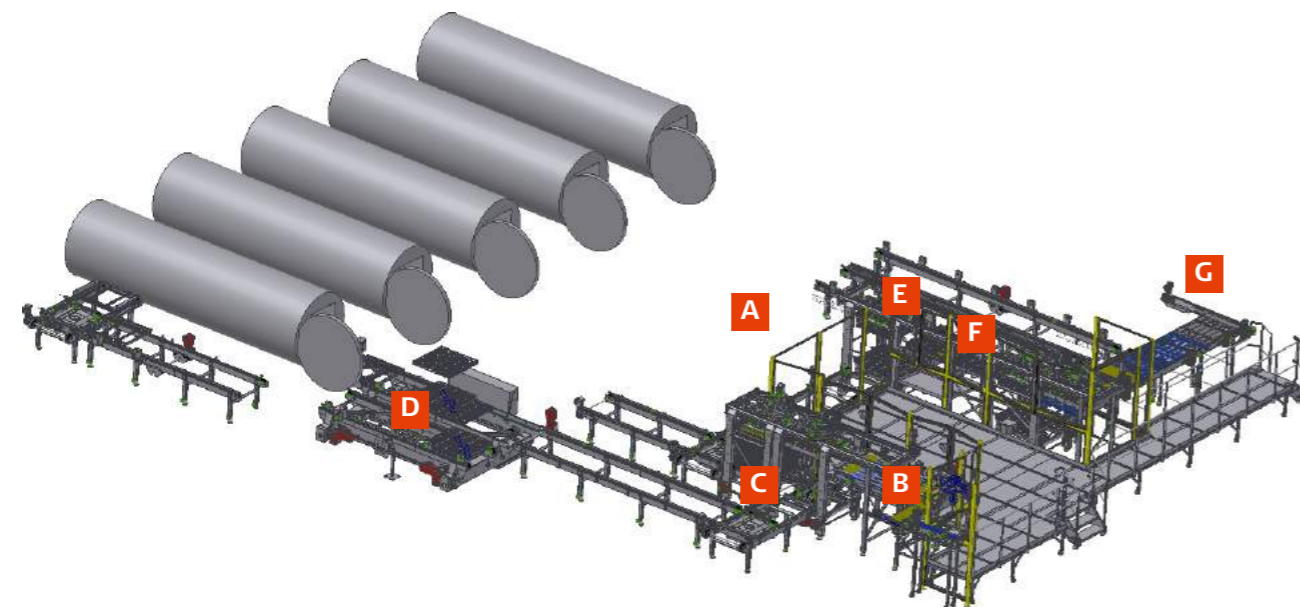
- High capacities
- Gentle handling of packages
- Robust and compact design
- Customization

Jorgensen shuttle cars:

- Gentle handling of crates during loading and unloading
- Accurate positioning through laser
- Effective separation of sterilized and unsterilized products
- Tracking system to meet FDA's food safety standards



Jorgensen handles all kinds of pots and cups



PROGRAM

- Loading/unloading of retort baskets
- Washing and drying
- Palletizing for incubation storage
- Pallet wrapping
- Pallet inversion
- Depalletizing after incubation
- Single filing for packing
- Overcapping
- Case packing
- Case palletizing

PROCESSES

- A** Loading/unloading system
- B** Infeed and loading section
- C** Rack handling
- D** Double shuttle
- E** Unloading section
- F** 180° degree turning of trays
- G** Singlefiling of pots
- H** Robotic palletizing system



REFERENCES

A selection of our customers



Jorgensen core values: dedication, flexibility, trust, team spirit, drive, customer focus and outcome



Jorgensen Engineering a/s
M.P. Allerups Vej 20
DK-5220 Odense SØ
Denmark

Tel.: (+45) 63 13 22 11
E-mail: jorgensen@jorgensen.dk
www.jorgensen.dk
Part of the XANO Group

