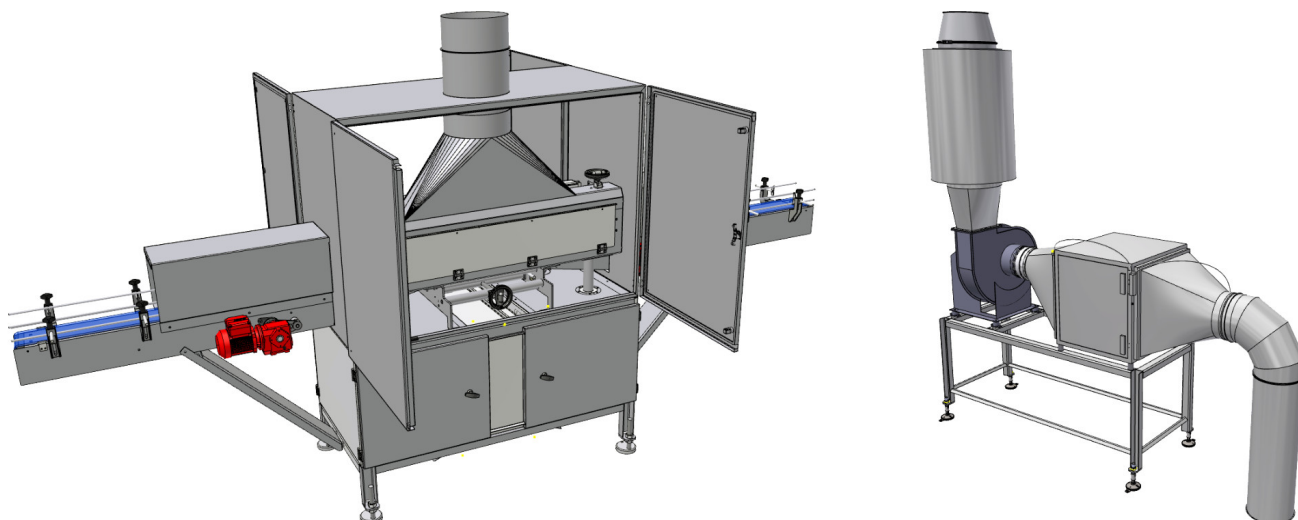


1



1: Can cleaner and dust extraction system. 2: Clean can surfaces after cleaning procedure.

CAN CLEANER

- Removes powder and other unwanted foreign bodies from the surface of filled cans by means of air and vacuum cleaning.
 - Effective cleaning with combined air and suction
 - Robust and compact design ensures optimal space
 - Easy adjustment and fast change-over of can sizes
 - Can rotation for optimum cleaning
 - Powder removed by fan with filter and collective box